

MARKS PRYOR

MARKING TECHNOLOGY

Highly Flexible

Easy to Use

**Quiet, Fast,
Efficient Marking**

**Stand Alone
or Networked**

**Wide Range
of Options**



INTELLIGENT MARKING SOLUTIONS

MarkMate-USB

Workshop Dot Marking Machine

A bench mounted, fully programmable dot marking machine in a low cost simple to use package. Uncompromising build quality ensures the stand alone variable marking system is robust enough for the toughest workshop environments.

Applications Include:

- Programmable marking
- Component identification
- Component traceability
- Serial numbering
- Logo marking
- Security marking
- Health & safety appliance marking
- Certification marking
- Trophy and award marking
- Time and date marking
- Batch and shift coding
- Part numbering
- Calibration systems
- Label and tag marking

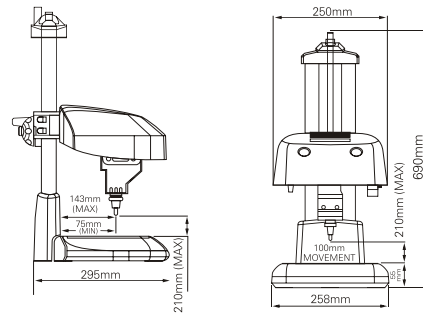


*No specialist computer knowledge
needed. An extremely user
friendly package.*

www.markspryor.com

Technical Specifications

Marking Area:	100mm x 75mm
Standard Character Sizes:	0.18mm - 99.9mm in increments of 0.18mm
Marking Font:	5 x 7, 7 x 9, or Varidot
Marking Speed:	Depends on application
Memory Capacity:	<i>Windows:</i> Depends on hard disk capacity
Weight:	<i>Marking machine:</i> 13kg
EMC Approved to EN 50081 - 2 & IEC 801 - 2	



Marks Pryor reserves the right to amend product specifications without notice

Highly Flexible

Suits most marking applications from a single programmable system. 100mm by 75mm marking area allowing multi-component marking, saving time. Variable force control to ensure optimum mark depth for all engineering materials up to 62 R_c (800H_v). The lead-screw driven marking head guarantees dot precision unmatched on other low cost systems.

Easy to use out of the box

The compact ergonomic design has been created with ease of use in mind. High functionality software with PC windows option ensures operator training is minimised and production efficiency is maximised. The multilingual user interface allows users to choose between different character fonts and type sizes as well as angular and arc marking, serial numbers, date and time marking.

Quite, Fast, Efficient Marking

Requiring no air supply and powered only by a standard 240 volt (110 volt available) electric source the MarkMate USB is both highly efficient, and significantly quieter than pneumatically actuated systems.

Stand Alone or Networked (Optional)

The separate controller protects the electronics from the mechanical shock loading generated in the marking head and the large high contrast LCD screen gives users clear control over the marking operation without the need for a separate PC. The controller also provides connectivity options through RS232 serial and digital I/O ports.

Wide Range of Options

Standard hardware options include remote start stop box, magnetic table, machine 'T' slot table and label fixture. Custom designed fixtures are also available on request. The WinMax Software option allows users to control the system through a familiar PC windows interface enhancing networking and data storage capabilities. Extended Warranty packages available.



**MARKS
PRYOR**
MARKING TECHNOLOGY

AN ISO 9001-2008
COMPANY



ISO 9001
International Standards
Certification

QAC / R81 / 1520

MARKS PRYOR MARKING TECHNOLOGY PVT. LTD.

CORPORATE OFFICE & WORKS

Regd. Off.: Gat No. 135, Pirangut, Tal. Mulshi, Dist. Pune - 412 108. (M.S.) India.

Tel.: +91-20-66743300 / 66743301 Fax: +91-20-66743327, e-mail : info@markspryor.com

BRANCHES

- New Delhi • Mumbai • Bangalore • Ahmedabad • Chennai
- Coimbtore • Kolkata • Jamshedpur • Indore

www.markspryor.com